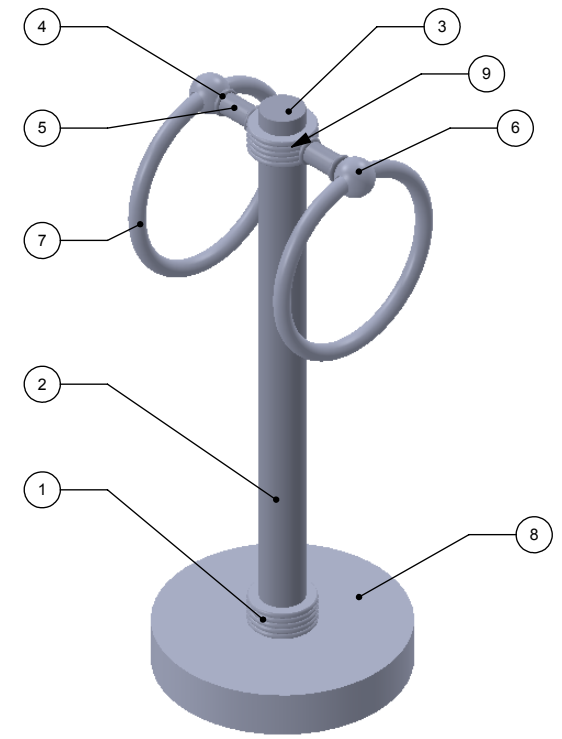


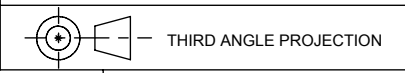
ITEM NO.	PART NUMBER	DESCRIPTION	QTY.
1	RGGV	HUB	1
2	TU12-2	TUBE UPRIGHT	1
3	Card-1	END LOCK	1
4	CRRD-12	Connector	4
5	TU12-0.75	TUBE SUPPORT	2
6	BLTSR-1	SPHERE HUB	2
7	TRMT-4	RING	2
8	BSRD-5.5	BASE	1
9	RGGVL	HUB TOP	1



UNLESS OTHERWISE STATED	
.X	±.3mm
.XX	±.15mm
.XXX	±.008mm

APPROVED FOR PRODUCTION
 By: RICHARD PAUL
 Date: 7-6-19

COPYRIGHT © Allied Brass 2019



DRAWN	7-6-19	I.M
CHECKED	7-6-19	P.D
APPROVED	7-6-19	R.A

MATERIAL: BRASS		FINISH	TBD
DESCRIPTION: TOWEL HOLDER		QUANTITY	TBD
		DRAWING No. 953G	
		SCALE	1:3
		SHEET: 01	A4